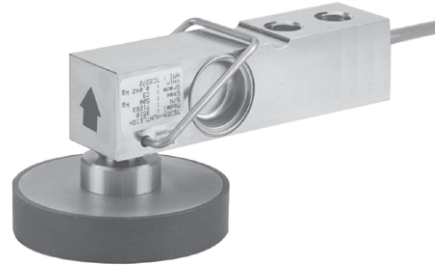


## Load Cell Mounting Feet

### FEATURES

- Adjustable height or fixed height version
- Designed to work with T-end version shear beams
- Low profile
- Stainless steel
- Anti-vibration
- Easy installation

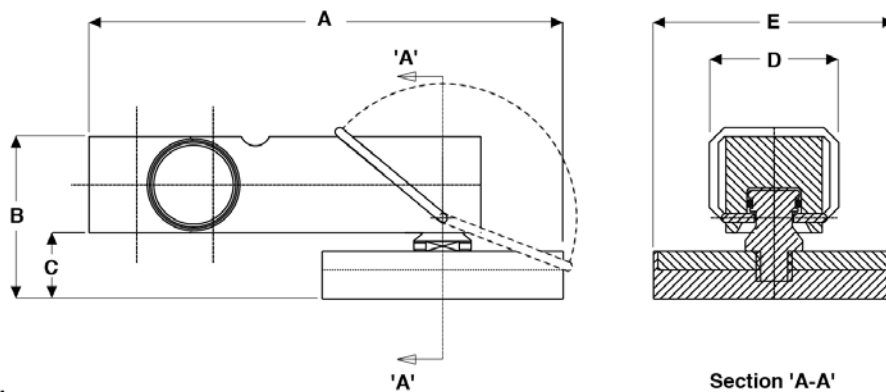


### DESCRIPTION

T-End mounting feet are ideal for platform use where a number of load cells are used together. The stainless steel construction with the inert rubber foot makes the assembly impervious to most industrial chemicals and ideal for harsh environments. A food grade rubber option is also available.

They must be used with the appropriate load cells, which are current matched and specially machined to accept T-End accessories. It is recommended to order load cells and T-End mounting feet together.

### OUTLINE DIMENSIONS in millimeters



**Note:**

1. All dimensions in mm
2. A mounting foot adapter is available which increases the heights 'B' & 'C' by 7 mm (for standard shear beams)

| Load Cell Type         |        | 3410         |             |         | 3510        |         |
|------------------------|--------|--------------|-------------|---------|-------------|---------|
| Capacity               |        | 250–4000 lbs | 500–1000 kg | 2000 kg | 300–2000 kg | 5000 kg |
| Both T-foot versions   | A      | 157.4        | 157.4       | 157.4   | 157.4       | 202.4   |
|                        | D      | 43           | 43          | 43      | 43          | 57      |
|                        | ∅E     | 80           | 80          | 80      | 80          | 100     |
| Fixed height foot      | B      | 52           | 52          | 58      | 54          | 77.5    |
|                        | C      | 22           | 22          | 22      | 22          | 29.5    |
| Adjustable height foot | B low  | 58           | 58          | 64      | 60          | -       |
|                        | B high | 70           | 70          | 76      | 72          | -       |
|                        | C low  | 28           | 28          | 28      | 28          | -       |
|                        | C high | 40           | 40          | 40      | 40          | -       |